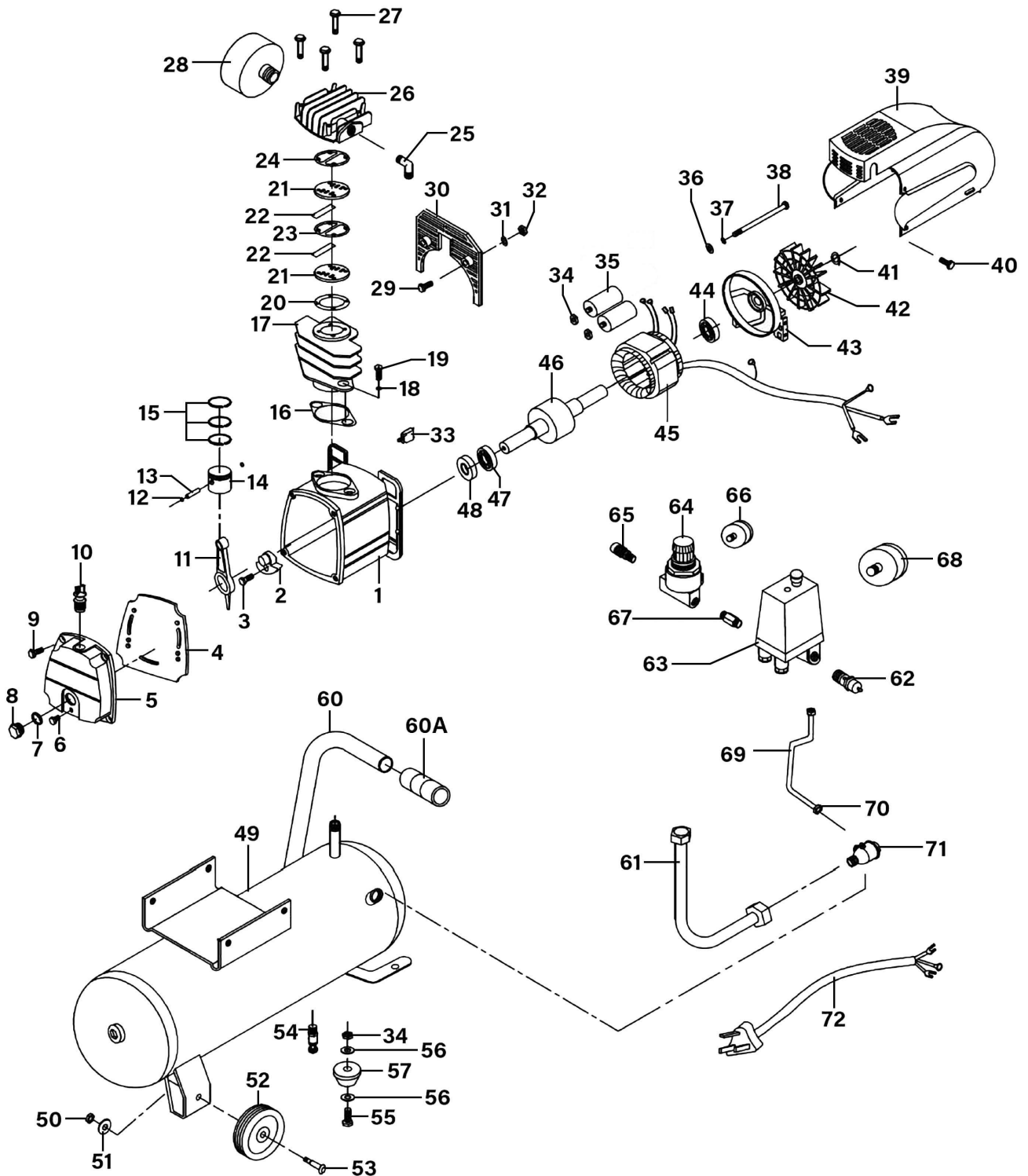




Parts Information:
Air Compressor 24L & 50L Direct Drive
2hp 110V
Model No: SAC2420E110V &
SAC5020E110V



NOTE: It is our policy to continually improve products and as such we reserve the right to alter data, specifications and component parts without prior notice. There may be alternative versions of this product, please contact us should you require this information.

IMPORTANT: No liability is accepted for incorrect use of product. Spare parts must be fitted by a competent person

WARRANTY: Guarantee is 12 months from purchase date, proof of which will be required for any claim.

Sealey Group, Kempson Way, Suffolk Business Park, Bury St Edmunds, Suffolk. IP32 7AR



01284 757500



sales@sealey.co.uk



www.sealey.co.uk



Parts Information:
**Air Compressor 24L & 50L Direct Drive
 2hp 110V
 Model No: SAC2420E110V &
 SAC5020E110V**

Item	Part No.	Description	Qty
1	SAC2420EV2.01	Crankcase	1
2	SAC2420EV2.02	Crankshaft	1
3	SAC2420EV2.03	Left Hand Thread Socket Cap Bolt M8 X 22mm Black	1
4	SAC2420EV2.04	Gasket Seal	1
5	SAC2420EV2.05	Crankcase Cover	1
6	SFS610.S	Hex Head Flange Bolt M6 X 10 Zinc	1
7	SAC2420EV2.07	O-Ring	1
8	SAC5030VE2.10	Oil Sight Glass	1
9	SFS618.S	Hex Head Flange Bolt M6 X 18	4
10	SAC2420EV2.10	Breather, Push Fit	1
11	SAC2420EV2.11	Connecting Rod	1
12	SAC2420EV2.12	Retaining Clip	2
13	SAC2420EV2.13	Piston Pin	1
14	SAC2420EV2.14	Piston	1
15	SAC2420EV2.15	Piston Rings (set of 3)	1
16	SAC2420EV2.16	Cylinder Gasket	1
17	SAC2420EV2.17	Cylinder	1
18	SWM8.S	Spring Washer M8 Zinc	2
19	SAC9100010050	Stud Bolt M8 Double Ended	2
20	SAC0610EV2.17	Valve Gasket	1
21	SAC5030VE2.25	Valve Plate (Pair) Diameter 73.75mm	2
22	SAC5030VE2.26	Reed Valve, 47 X 10mm	2
23	SAC5030VE2.27	Valve Plate Gasket	1
24	SAC2420EV2.24	Cylinder Head Gasket	1
25	SAC2420EV2.25	Elbow Exhaust 3/8"bsp Male x 3/8"bsp Male	1
26	SAC2420EV2.26	Cylinder Head	1
27	SAC2420EV2.27	Bolt	4
28	SAC2420EV2.28	Air Filter	1
29	SFS614.S	Hex Head Flange Bolt M6 X 14 Zinc	2
30	SAC2420EV2.30	Baffle	1
31	SAC2420EV2.31	Washer	2
32	NLN5.S	Nyloc Nut M5 Zinc	2
33	SAC5020E-V4-33A	Thermal Cut-Out (14A) 'for 110V model'	1
34	SN8.S	Steel Nut M8 Zinc	2
35	SAC5020E-V4-35A	Capacitor (Pair) 'for 110V model'	1
36	SAC2420EV2.36	Washer	4
37	SAC2420EV2.37	Spring washer	4
38	SAC2420EV2.38	Bolt	4
39	SAC5020EV2.39	Cover, pump	1
40	MSP516.S	Machine Screw Pan Head Phillips M5 x 16mm	6

Item	Part No.	Description	Qty
41	RE231.V3-15	External Circlip 12.7mm ID.	1
42	SAC2420EV2.42	Fan	1
43	SAC2420EV2.43	Rear bearing case	1
44	B/6202-2RS	Bearing 6202-2rs	1
45	SAC5020EV245A	Stator (110v) 'for 110v model'	1
46	SAC5020EV246A	Rotor (110v) 'for 110v model'	1
47	B/6204-2RS	Bearing 6204-2rs	1
48	SAC2420EV2.48	Oil Seal 20*40*7	1
49	SAC2420EV4110V-49	Tank 24ltr (110V Version) 'for SAC2420E110V only'	1
49	SAC5020EV4110V-49	Tank 50ltr (110V Version) 'for SAC5020E110V only'	1
50	SN10.S	Steel Nut M10 Zinc	2
51	FWM10.S	Flat Washer M10 Zinc	2
52	SAC2420EV3-52	Wheel,Fixed Plastic (D:170 W:40 B:12) 'for SAC2420E110V only'	2
52	SAC5030VE.V3-84	Wheel, fixed plastic (D:150 W:32 B:12) 'for SAC5020E110V only'	2
53	SAC5020EV2.53	Wheel Bolt, M10 X 55, 18mm Thread	2
54	SAC5030VE2.86	Drain Valve 3/8"bsp Male	2
55	SS825.S	Hex Head Set Screw M8 X 25 Zinc	2
56	FWM8.S	Flat Washer M8 Zinc	2
57	SAC2420EV2.57	Foot	2
60	SAC2420EV3110V.49A	Tank Handle for 24ltr Tank (110V version) 'for SAC2420E110V only'	1
60	SAC5020EV3110V.49A	Tank Handle for 50ltr Tank (110V version) 'for SAC5020E110V only'	1
60A	SAC2420EV2.60	Handle Grip	1
61	SAC2420EV2.61	Exhaust Pipe	1
62	SAC2420EV2.62	Safety Valve 1/4" bsp 8bar	1
63	SAC5030VE2.71	Pressure Switch 20amp 12bar 175psi	1
64	SAC2420EV2.64	Regulator	1
65	AC01	Coupling Body Male 1/4"BSPT	1
66	SAC2420EV2.66	Pressure Gauge 180psi Back Fitting d:42mm	1
67	SA1/1414	Double Male Union 1/4"BSPT to 1/4"BSPT	1
68	SAC2420EV2.68	Pressure Gauge 180psi Back Fitting d:52mm	1
69	SAC2420EV2.69	Unloading Pipe	1
70	SAC2420EV2.70	Brass Nut Deep	1
71	SAC2420EV2.71	Check Valve	1
72	SAC5020E-V4-72A	Power Lead (110V)	1

NOTE: It is our policy to continually improve products and as such we reserve the right to alter data, specifications and component parts without prior notice. There may be alternative versions of this product, please contact us should you require this information.

IMPORTANT: No liability is accepted for incorrect use of product. Spare parts must be fitted by a competent person

WARRANTY: Guarantee is 12 months from purchase date, proof of which will be required for any claim.

Sealey Group, Kempson Way, Suffolk Business Park, Bury St Edmunds, Suffolk. IP32 7AR



01284 757500



sales@sealey.co.uk



www.sealey.co.uk